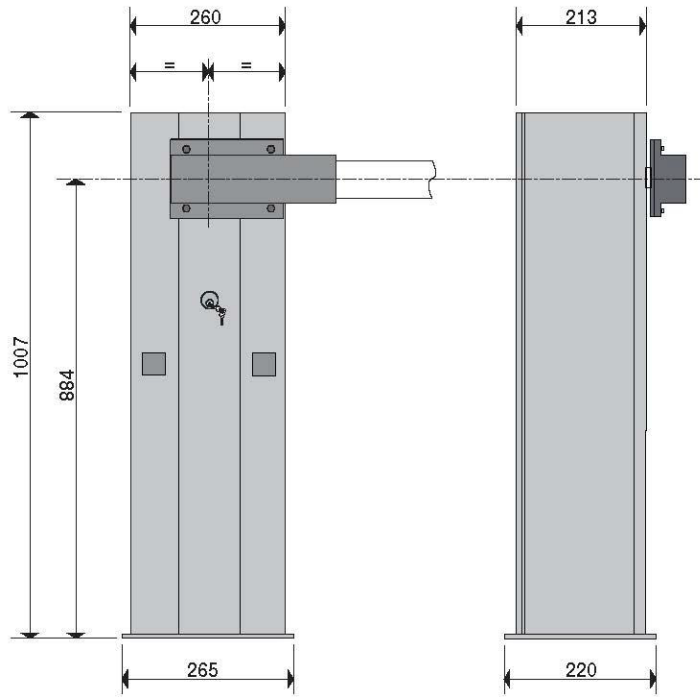


PL 4000-T TECHNICAL SPECIFICATIONS



■ Body Dimensions	: 260 x 213 x 1007 (height) mm
■ Body Material - Finish	: Galvanised steel – electrostatic powder coated
■ Body Color	: Melon (RAL 1028)
■ Interior Access	: By locked lid
■ Net Passage Width	: Up to 4.0 mt.
■ Boom Material	: Aluminium
■ Boom Color	: White (RAL 9010)
■ Power Supply	: 230 V AC 60/50 Hz. (%±10)
■ Consumption	: 300 W
■ Absorption	: 15A
■ Torque	: 200 Nm
■ Type of Operation	: Electromechanical
■ Installation Direction	: Left – Right adjustable
■ Speed	: 2 - 6 sec.
■ Manual Control	: By release lock
■ Operating Temperature	: -20°C/+55°C (Opt.. -50°C with heater positive), %95 non-condensing

- IP Rating : IP 54, outdoor
- Net Weight : ~47 kg (excl boom)
- Options and Accessories : Safety Sensor (photocell), loop detector, flashing light, light bulb for arm, traffic light, fixed rest, swing rest, boom joint, painted aluminium skirt, rubber shock-proof edges, wireless remote control (receiver&transmitter), manual control button, red reflective sticker for arm (pack of 24pcs).



Design and specifications are subject to change without notice

SmartGuard®

· Smarguard is brand of Polimek ·

CONTACT:  +90 232 328 16 45 (pbx) Fax: +90 232 328 16 74 Sales: +90 530 915 60 00  sales@polimek.com.tr

 www.polimek.com.tr

 Ataturk Organized Industrial Zone 10024 St. No: 9 Cigli – IZMIR/TURKEY