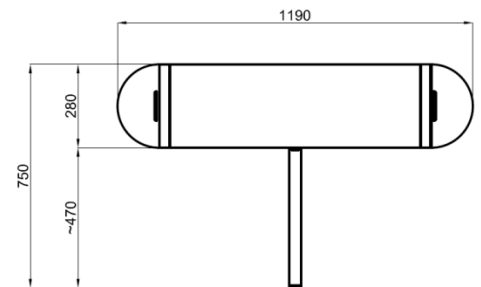
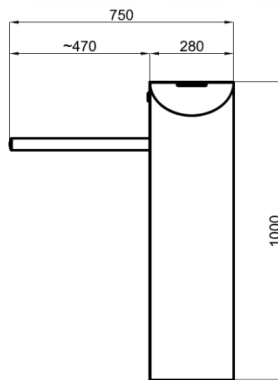
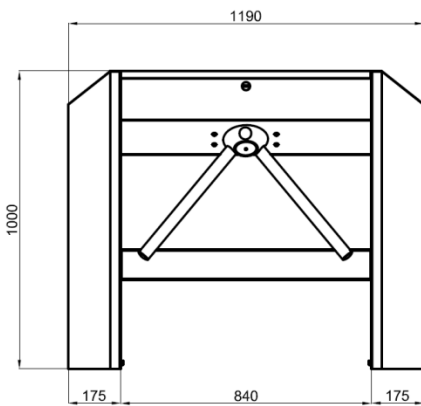
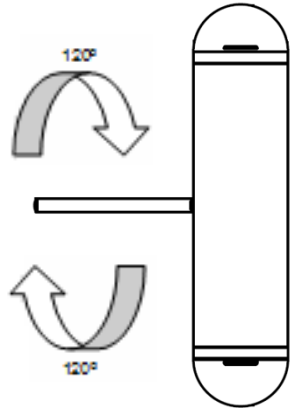


PL 300 R TECHNICAL SPECIFICATIONS



- Power Requirements : 110/220V. 60/50Hz. AC (%±10) 24V. DC at standby ~4,4W max. ~12W.
- Dimensions : 1190x1000x280 + Arm length (470 mm)
- Arms : Ø40 x 2,0 mm 304-Grade (Opt. 316-Grade) stainless steel. (Opt. anodised hard aluminium). Arms can be dismantled or mounted one by one separately.
- Body Features : 304-Grade (Opt. 316-Grade) stainless steel. Protected against water for outdoors use. Half- cylindrical rounded legs.
- Indicator Features : Decorative LED indicators on both legs in stripe form.
- Operating Temperature, Humidity, IP Rating : -20°C - +68°C (-50°C with optional heater unit) / RH 95% non-condensing / IP 54 outdoor rated (Opt. IP 56).
- Control System : Controlled by dry contact or grounding input. Compatible with all access control systems that provide dry contact or grounding outputs. Optional RS232/RS485/TCP IP control module is available.

■ Operation

- : Microprocessor controlled industrial design with vibration resistance, adaptable to any demand of user. All inputs are opto-coupler protected. Passage directions can be easily adjusted for controlling as free passage active, passive or combination of these indications. Passage directions can be activated with another input. Thanks to the double-input feature, passage direction can be activated on a single signal for both passage ways. (opt. audio unit with speaker and WAV files)

Solenoids in the system are special design. Do not heat more than 10°C at -%100 ED atmospheric temperature.

■ Passage

- : Manual driven bi-directional passage system (Opt. Motorized System).

A-Manuel System (standard): The system unlocks upon receiving input and arms to be rotated 120° to allow passage.

B-Motorized System (optional): The system unlocks upon receiving input, motor is activated by a gentle push on the arm and arms rotate 120° to the direction of signal to allow passage.

■ Output Data

- : The system provides dry contact passage feedback by relays.

■ Emergency Mode

- : In case of power failure or emergency, the arms rotate freely to allow free passage.

■ Flow Rate

- : Capacity of Mechanism – Manual System: Max. ~97 passages/minute;
Nominal: ~41 passage/minute.

Motorized System: Max. ~48 passages/minute;
Nominal: ~29 passage/minute. (Recommended reference figure)

❖ Explanatory Notes:

- The above given figures are approximate for one person per walkway or lane.
- The system allows the new passage authorisation in less than ~0, 3 seconds.
After the passage authorization, the total passage time depends on the pushing and passage speed of the people.
- Utilisation of different access control units can change the flow rate.

■ Standard Features

- : LED indicators, cut-out and acrylic cover for card reader mounting (when requested at the time of purchase order).

■ Optional Accessories and Applications

- : Manual/remote control units, interface unit for PC, RS485, RS232 and LAN, counter, audio-messaging system, battery and charge unit, alarm sensor, automatic/manual drop arm, coin slot/intelligent coin system and coin box, separator, base plate.

**Design and specifications are subject to change without notice.*

