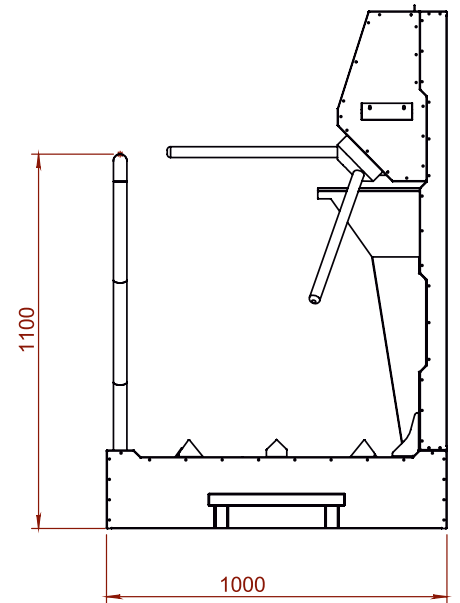


## PL-003 SINGLE HYGIENE BARRIER



**Product Specifications:** Stainless Steel, painted

### Product Specifications

-The soles of the shoes are cleaned only coarsely with a dry curly hygiene mop. For hand disinfection, 2 hands are inserted simultaneously into 2 separate chambers in the front of the machine, the solution is sprayed as soon as the hands are detected by the sensors. There are Red/Green LED warning lamps showing that the process is done and completed. The person is allowed to pass through the turnstile after the hand disinfection process.

- Dry curly mop and disinfection of hands take place together for cleaning the soles of shoes. MADE OF 304 CR STAINLESS MATERIAL. HYGIENE MOP IS AVAILABLE. The Hygiene Mat can be easily changed if requested. It provides hygiene quickly and efficiently in any location needed in the facility. It can be easily transported and installed anywhere. Compulsory hand disinfection is provided for 2 hands simultaneously, and the hand disinfectant time can be adjusted.
  - Does not allow one-handed passage.
  - There is a turnstile lock that can be adjusted according to the exit direction and preference, turnstile duration can be adjusted.
  - Approximate dimensions 86.5 cm (length) x 60 CM (width) x 140 CM (height)
  - 304 CR Stainless Steel railing is available.
  - FREE TRANSITION WITH NO ELECTRICITY.
  - There are legs with adjustable height.
  - On one side of the device, there is a stainless carrying plate for the disinfectant canisters.
- IT WORKS WITH 220 V ELECTRICITY.